

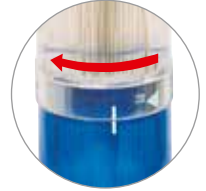
Signal Tower KombiSIGN 50



Simple operation thanks to bayonet mechanism

WERMA was the first signal beacon manufacturer to offer a bayonet mechanism allowing elements to be mechanically and electrically connected within seconds.

- ✓ Simple mounting and removal of the elements
- ✓ New combinations at the twist of a hand
- ✓ Tool-free bulb change



Signals to combine - At the twist of a hand

- ✓ Signal elements in every common voltage
- ✓ Modular system allows combination as required
- ✓ Protection rating IP 54
- ✓ LED technology ensures even better visibility



This is how you can assemble your KombiSIGN 50 signal tower

▶ STEP 1

Select the required optical or audible elements in the correct voltage.



Audible Signal Elements

- Buzzer element







Optical Signal Elements


- Permanent light
- LED Permanent light
- LED Flashing light
- LED Blinking light

▶ STEP 2

Select the terminal element.

Single hole Mounting


NEW



Terminal element

Order no. **845 000 00**

NEW



Terminal element with CAGE CLAMP® technology for single hole mounting

Order no. **845 010 00**

▶ STEP 3


Select the appropriate mounting option for your application.

▶ STEP 4

Select the appropriate accessory for your mounting option.


Base/Wall Mounting

Tube Mounting



Bracket for wall mounting

Order no. **975 845 02**



Base for surface mounting, incl. rubber seal

Order no. **975 845 01**

Tube Ø 25 mm, Aluminium

Order no.

100 mm long **975 845 10**


250 mm long **975 840 25**

400 mm long **975 840 40**

600 mm long **975 840 60**

800 mm long **975 840 80**

1000 mm long **975 840 03**



Base for tube, plastic

Order no. **975 840 90**

Base for tube, metal


Order no. **975 840 91**

Foldaway base

Order no. **960 000 30**

Foldaway base

Order no. **960 009 12**



▶ STEP 5

Where appropriate, select the bracket and the contact box.

TIP

The Signal Devices Site on the Internet: www.werma.com

With our new **signal tower configurator** you can put together your own individual signal tower.



Contact box for cable exit at side

Order no. **975 840 01**



Contact box with magnetic base and cable exit at side

Order no. **975 840 04**



Bracket for base mounting with concealed cable entry

Order no. **960 000 14**



Bracket for base mounting

Order no. **960 000 01**

NEW



Corner fixing bracket

Order no. **960 000 41**



Tube mounting (accessory)



Bracket (accessory)



Base mounting (accessory)

- Clear signalling, even in unfavourable light conditions

- LED light elements have an extremely long life and low current consumption

i TECHNICAL SPECIFICATIONS:

Dimensions (Ø x Height):	52 mm x 67 mm		
Lens:	PC, transparent		
Protection rating:	IP 54		
Number of modules possible:	Max. 4		

Permanent light element	12-240 V AC/DC Bulb not included in assembly		
Socket:	Bayonet, BA15d, for bulb max. 5 W		
Life duration:	Dependent upon the bulbs used		

LED Permanent light element	24 V AC/DC	115 V AC	230 V AC
Current consumption:	45 mA	25 mA	25 mA
Life duration:	< 50,000 hrs		

LED Flashing light element			
Current consumption:	Red, yellow 45 mA	Green, clear, blue 40 mA	
Life duration:	< 50,000 hrs		
Blink frequency:	C. 1 Hz		

LED Blinking light element	24 V AC/DC	115 V AC	230 V AC
Current consumption:	25 mA	25 mA	25 mA
Life duration:	< 50,000 hrs		
Blink frequency:	C. 1 Hz		

ORDER SPECIFICATIONS OPTICAL ELEMENTS:

see next page

See note on page 347

24 V



Permanent light element



LED element



ORDER SPECIFICATIONS OPTICAL ELEMENTS:

Permanent light element	12-240 V AC/DC
red	846 100 00
green	846 200 00
yellow	846 300 00
clear	846 400 00
blue	846 500 00

Bulb not included in assembly. Accessories see page 67.

LED Permanent light element	24 V AC/DC	115 V AC	230 V AC
red	848 100 55	848 100 67	848 100 68
green	848 200 55	848 200 67	848 200 68
yellow	848 300 55	848 300 67	848 300 68
clear	848 400 55	848 400 67	848 400 68
blue	848 500 55	848 500 67	848 500 68

LED Flashing light element	24 V DC
red	848 120 55
green	848 220 55
yellow	848 320 55
clear	848 420 55
blue	848 520 55

Life duration up to 50,000 hrs

LED Blinking light element	24 V AC/DC	115 V AC	230 V AC
red	848 110 75	848 110 67	848 110 68
green	848 210 75	848 210 67	848 210 68
yellow	848 310 75	848 310 67	848 310 68
clear	848 410 75	848 410 67	848 410 68
blue	848 510 75	848 510 67	848 510 68



TECHNICAL DIAGRAMS:

see page 320 onwards





Buzzer element



Tube mounting (accessory)



Base mounting (accessory)

- Buzzer with up to 80 dB

- Optional continuous or pulse tone

**TECHNICAL SPECIFICATIONS:**

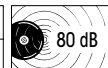
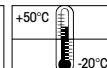
Dimensions (Ø x Height):	52 mm x 72 mm
Lens:	PC/ABS-Blend
Protection rating:	IP 54
Number of modules possible:	Max. 4
Sound output:	80 dB
Number/Tone type:	Continuous or pulse tone, adjustable

**ORDER SPECIFICATIONS AUDIBLE ELEMENT:**

Voltage	24 V AC/DC	115 V AC/DC	230 V AC
Current consumption	Max. 25 mA	Max. 25 mA	Max. 25 mA
Buzzer element	849 000 75	849 000 77	849 000 68

**TECHNICAL DIAGRAMS:**

see page 320 onwards

See note
on page 347

24 V





Screw terminal with cap

- Bayonet locking mechanism enables quick and easy assembly of the signal tower
- The ideal solution for every installation

i TECHNICAL SPECIFICATIONS:

Terminal element	
Dimensions (Ø x Height):	52 mm x 65 mm
Material:	Terminal element: PA + PC/ABS Cap: PC
Fixing:	Tube mounting, for tube Ø 25 mm Single hole mounting, Base and bracket mounting (accessory)
Connection:	Screw terminal max. 1.5 mm ²
Cable entry:	Cable diameter max. 9.5 mm
Terminal element with CAGE CLAMP® technology	
Dimensions (Ø x Height):	52 mm x 65 mm
Material:	Terminal element: PA + PC/ABS Cap: PC
Fixing:	Tube mounting, for tube Ø 25 mm Base mounting, Single hole mounting and bracket mounting (accessory)
Connection:	CAGE CLAMP® technology max. 1.5 mm ²
Cable entry:	Cable diameter max. 9.5 mm

🛒 ORDER SPECIFICATIONS TERMINAL ELEMENTS:

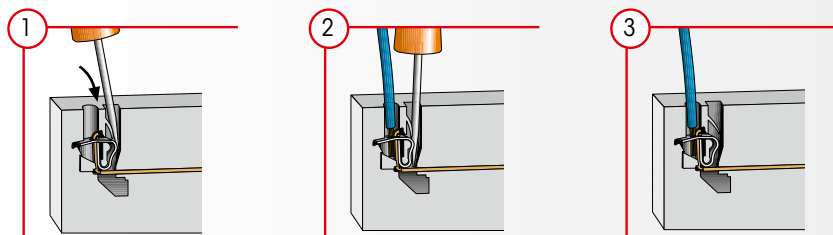
Terminal element	845 000 00
incl. cap, rubber seal and nut	
Terminal element with CAGE CLAMP®	845 010 00
incl. cap, rubber seal and nut	



Terminal element CAGE CLAMP® Technologie with cap

⚠️ ADDITIONAL INFORMATION:

Terminal elements with CAGE CLAMP® technology enable leads to be quickly and easily wired, guaranteeing a secure and reliable contact.



1 Insert screwdriver at a slight angle into opening as far as possible.

2 Open spring-loaded clamp with the help of the screwdriver and insert wire as far as possible.

3 Remove screwdriver - the wire is firmly clamped.

CAGE CLAMP® is a registered trademark of WAGO Kontakttechnik GmbH.

🏠 ACCESSORIES:

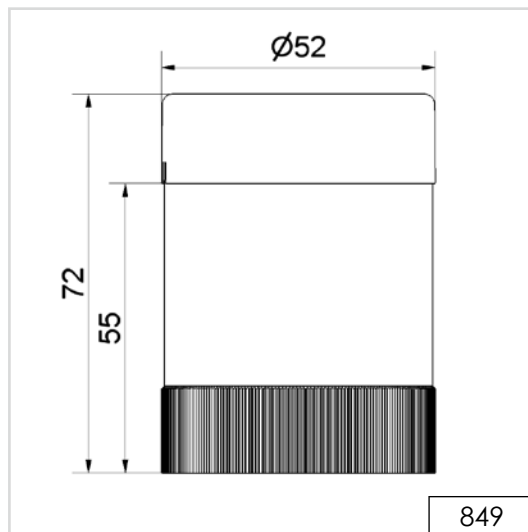
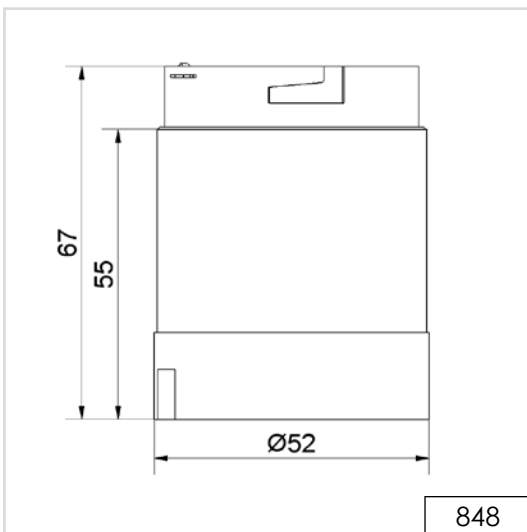
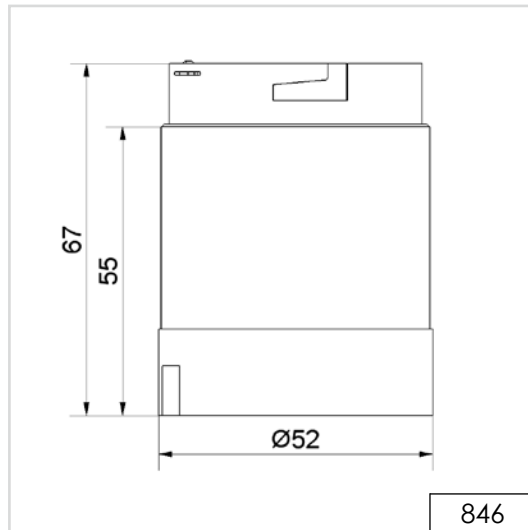
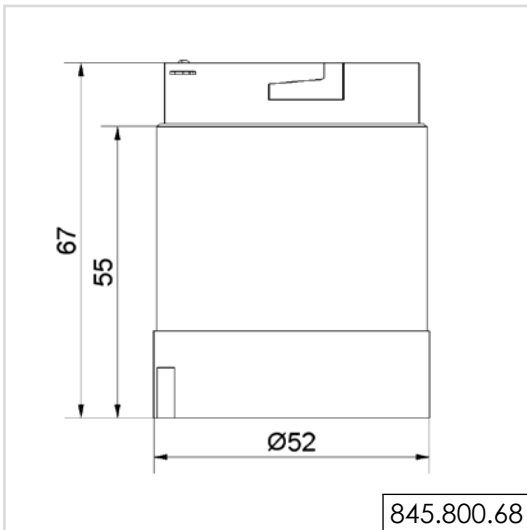
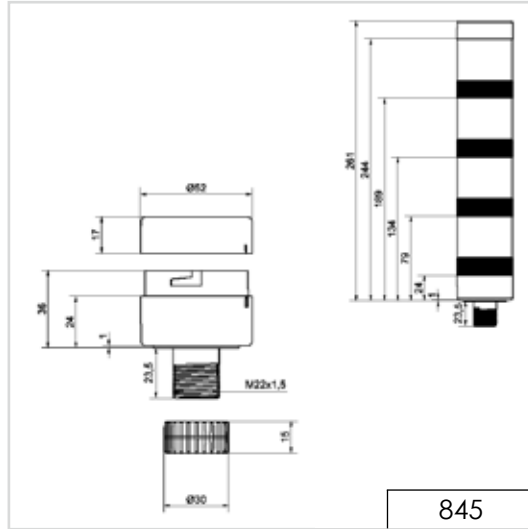
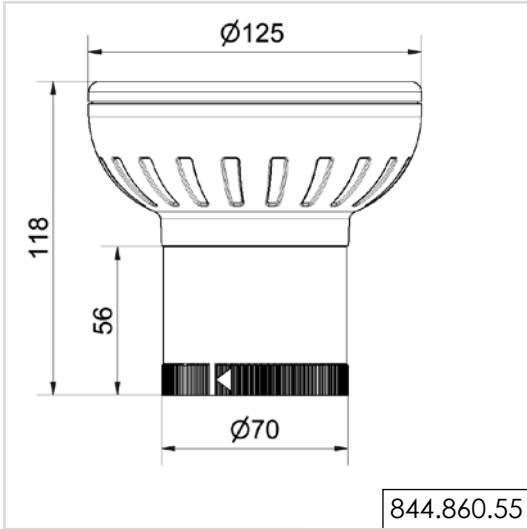
Suitable accessories can be found on page 67.

📏 TECHNICAL DIAGRAMS: see page 320

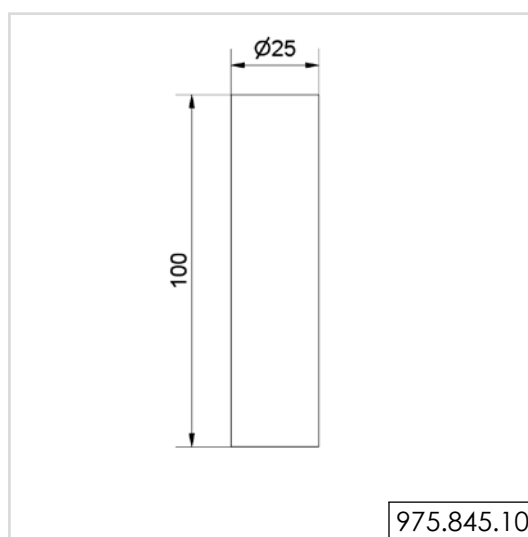
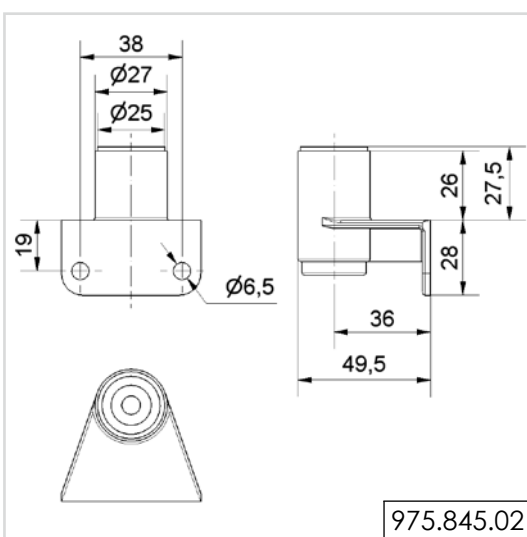
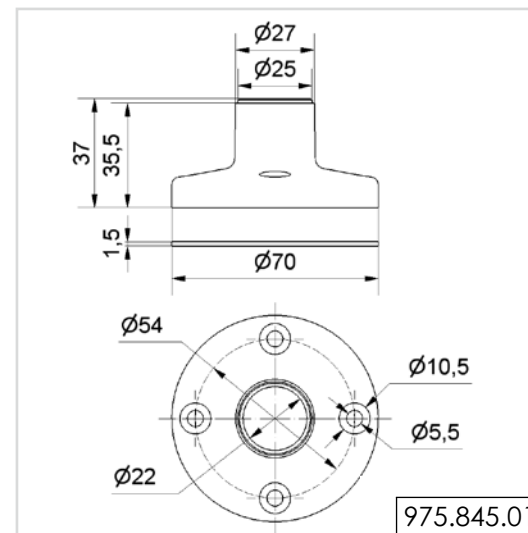
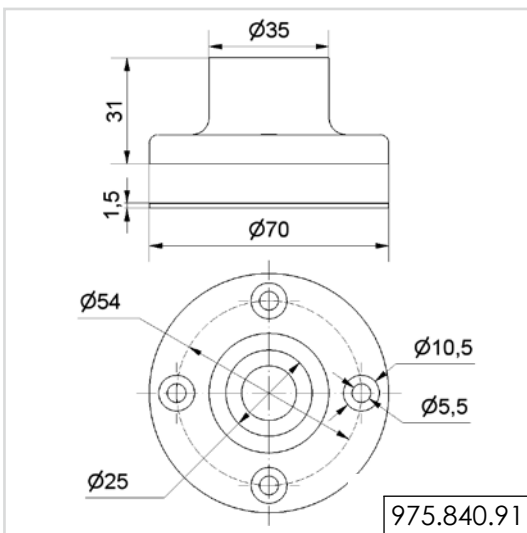
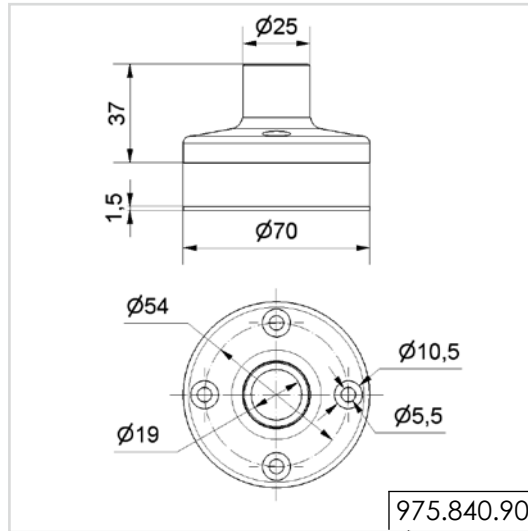
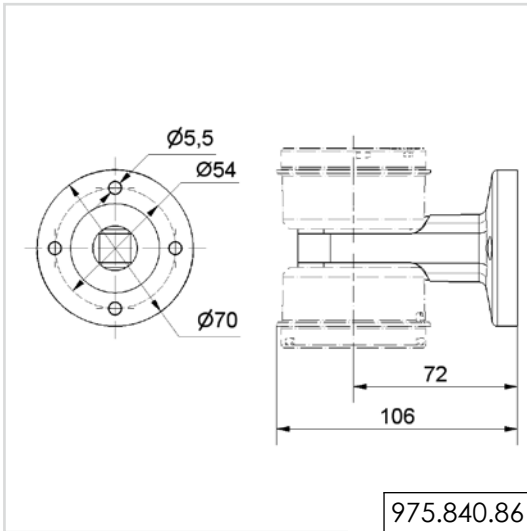
See note on page 347



Technical Diagrams



Technical
Diagrams



! ADDITIONAL INFORMATION:

You are welcome to request the technical diagrams in digital form. The relevant 3D models, instruction leaflets and connection diagrams can be obtained from us or downloaded from our homepage at any time.